

STNP | Pour-In-Place Installation

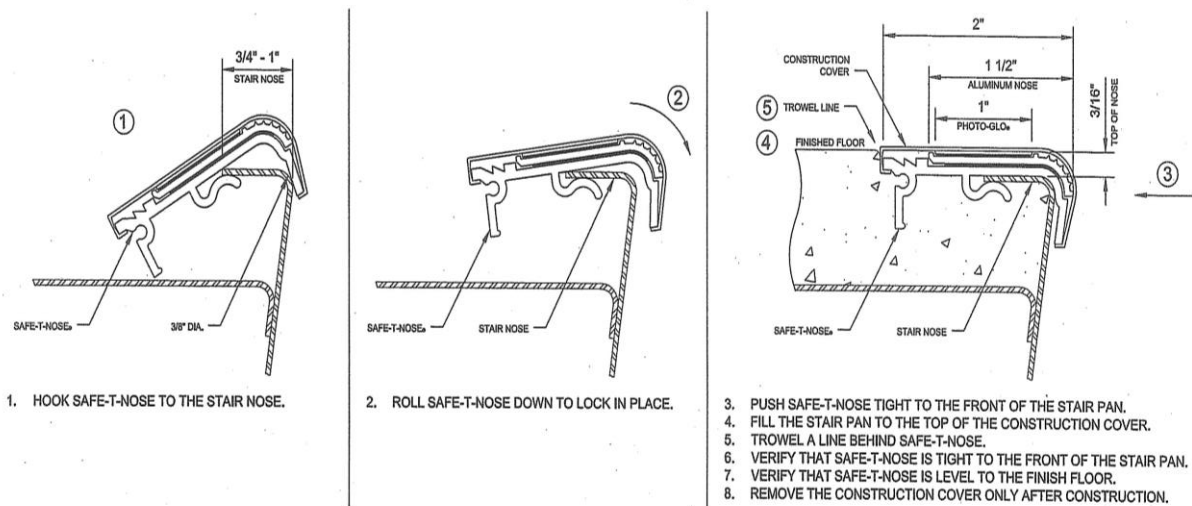
For use on steel pan stairs with $\frac{3}{4}$ " steel pan lip (14ga. to 11ga. steel).

Plastic isolator is designed to clip onto the front lip of the riser of steel pan just before the concrete is poured. This clip-on application holds the nosing in place prior to concrete pour only. Do not walk on or disturb the nosing prior to concrete pour. Isolator adds contrasting color to top and front of tread.

For compliant placement of egress path markings, consult your applicable local or national codes (2009, 2012 IBC section 1024 + 2015 IBC section 1025).

Installation Steps:

1. Verify the conditions:
 - Verify the front lip of the riser surface is clean, dry, flat, and smooth.
 - Verify the front lip of the riser is no greater than $\frac{3}{4}$ " in length.
2. Clip in place the nosing isolator onto the front lip of the riser (1-2). See Figure for clip-on method.
3. After clipping onto the pan ...Be sure to push rearward so front of isolator is against pan (3).
4. Verify the nosing construction cover is secure.
5. Fill pan with concrete.
 - Concrete to be flush with top of construction cover (4).
 - Trowel joint at back of construction cover (5).
 - Verify nosing assembly is pushed back flush to front of stair pan (6) and level to finished floor (7).
6. Remove the construction cover after concrete is fully dry and all painting and cleanup is complete (8).



ADA Contrasting Stripe:

If you have a combination of colors, normally YELLOW go on the Top and Bottom risers. Use BLACK or GREY isolators for intermediate risers.

If the stair is considered outside, use YELLOW isolators for all risers

Installation Inspection:

Check regularly for loose nosing's or damaged components. Replace damaged components. Repair delaminated Photo-Glo component as required.

Photo-Glo Charge Instruction:

Minimum of 1-foot candle (11 Lux) of fluorescent, incandescent or LED (light emitting diode) for 60 Minutes is required to charge Photo-Glo.

Control of lighting restricted to authorized personnel. Reliable external illumination is required at all times during building occupancy.

Do not use Photo-Glo where the ambient illumination level is less than 1-foot candle (11 Lux).

If you have further questions, please contact us:

Call: 1-855-723-6673 Email: sales@safetnose.com